

KAPPA 1

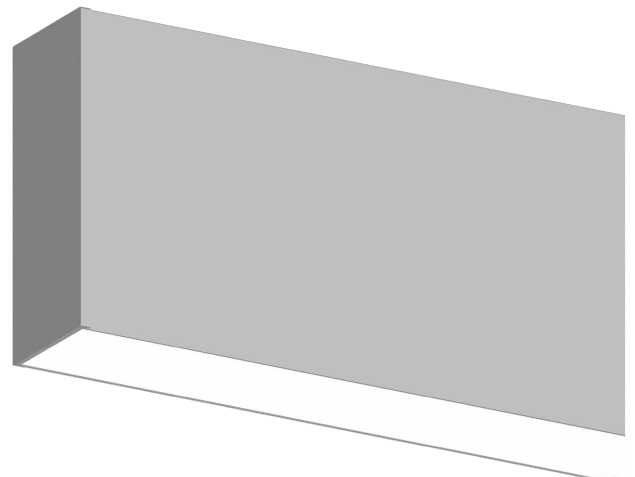
K1.



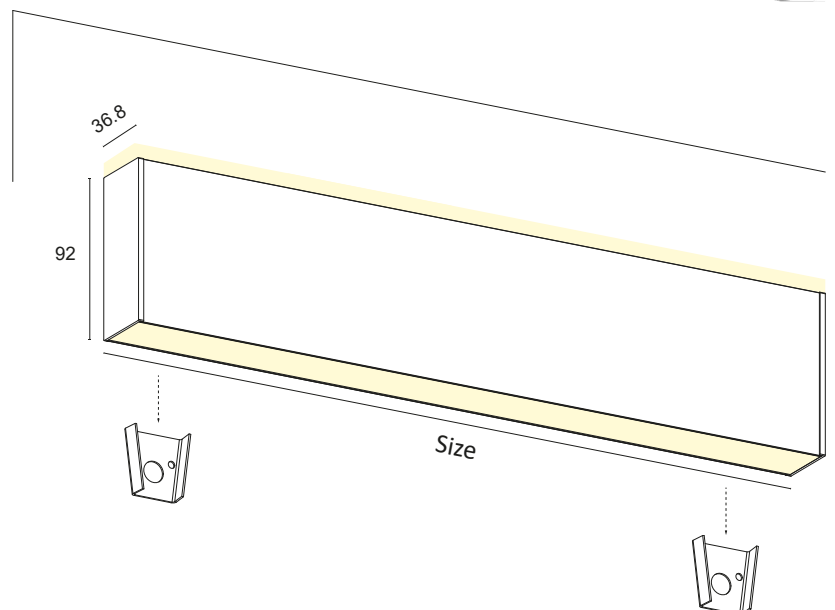
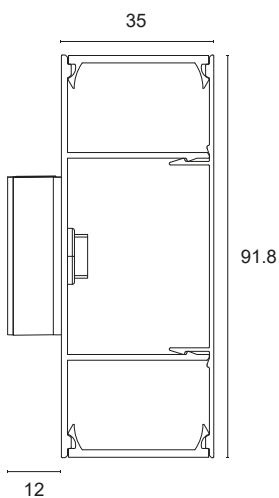
Decorated anodised dual-emission aluminium lamp complete with brushed or microprismatic diffuser and high-brightness LED source with a high Lumen/Watt ratio. Suitable for primary residential, retail, large-space and general lighting. Wall mounting with concealed brackets.

Constant voltage supply 24Vdc

Power supply included and integrated



 **MADE IN ITALY**



BASIC CODES

K1.

FINISHES

- 1** White
 - 2** Matt black
 - 7** Brushed aluminium
- *Other finishes on request.

SIDE SUPPORTS

- 1** White
- 2** Matt black
- 7** Brushed aluminium

SIZE

- A** 300mm
- B** 450mm
- C** 500mm
- D** 600mm
- E** 700mm
- F** 800mm
- G** 900mm
- H** 1000mm
- I** 1200mm
- J** 1300mm
- K** 1400mm
- L** 1500mm
- M** 1800mm
- N** 2000mm
- O** 2300mm
- P** 2500mm
- Q** 2800mm
- R** 3000mm

LED COLOUR

- BN** 4000K
 - BC** 3000K
 - CC** 2700K
- *Strip also available coloured, Dynamic White, RGB and RGBW.

POWER

- | | | | | | | |
|-----------|---------|----------|----------|-------|--------|---|
| F | 20.2W/m | 2500Lm/m | 168LED/m | S2835 | CRI>85 |  |
| F+ | 20.2W/m | 2500Lm/m | 168LED/m | S2835 | CRI>90 |  |
| G | 25W/m | 3500Lm/m | 160LED/m | S2835 | CRI>80 |  |
| L+ | 28W/m | 3500Lm/m | 160LED/m | S2835 | CRI>90 |  |
| H | 30W/m | 4500Lm/m | 240LED/m | S2835 | CRI>80 |  |
| M+ | 40W/m | 5000Lm/m | 480LED/m | S2835 | CRI>90 |  |

*Energy class referring to light source

DIFFUSER

- M** MICROPRISMATIC
- S** BRUSHED

POWER SUPPLY

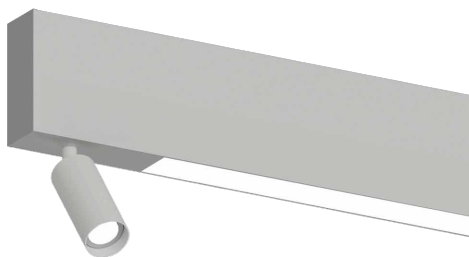
- N** ON/OFF
 - D** DALI + PUSH
- *The lamp can be customised with independent switch-on and dimming on request.

Code example:

KAPPA 1 + White + Side supports white + 1000mm + 3000K + 25W/m CRI>80 + Brushed diffuser + ON/OFF = Code: K1.11HBCGSN

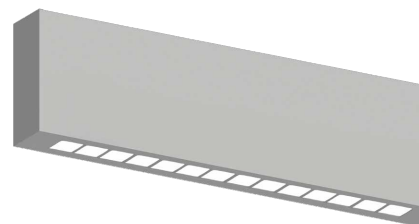
COMPLEMENTARY SYSTEMS

EXAMPLE OF KAPPA WALL LIGHT AND REM PROJECTOR



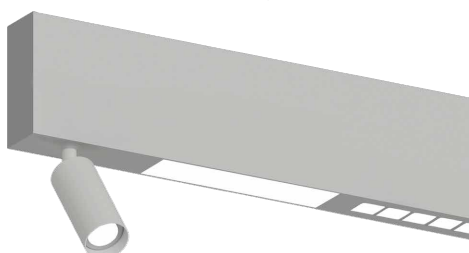
*Details on p. 276

EXAMPLE OF KAPPA WALL LIGHT AND DARK MODULE



*Details on p. 276

EXAMPLE OF KAPPA WALL LIGHT, REM AND DARK MODULE



*Details on p. 276